



Internet Hotspot Solutions for Trade Shows



Wireless Internet access is an essential part of doing business for trade show participants and visitors. Booth owners want Internet access to stay in touch with their offices and get access to business information that visitors ask about. Visitors also want wireless Internet for their smartphones.

Even though many people have 3G/4G smartphones with Internet access, large events such as trade shows usually swamp cell phone towers, limiting Internet access.

Wireless Internet service can be bundled with the booth costs to attract businesses to show their products. Booth owners can have free Internet access while visitors can be charged for Internet access using the gateway credit card billing feature.

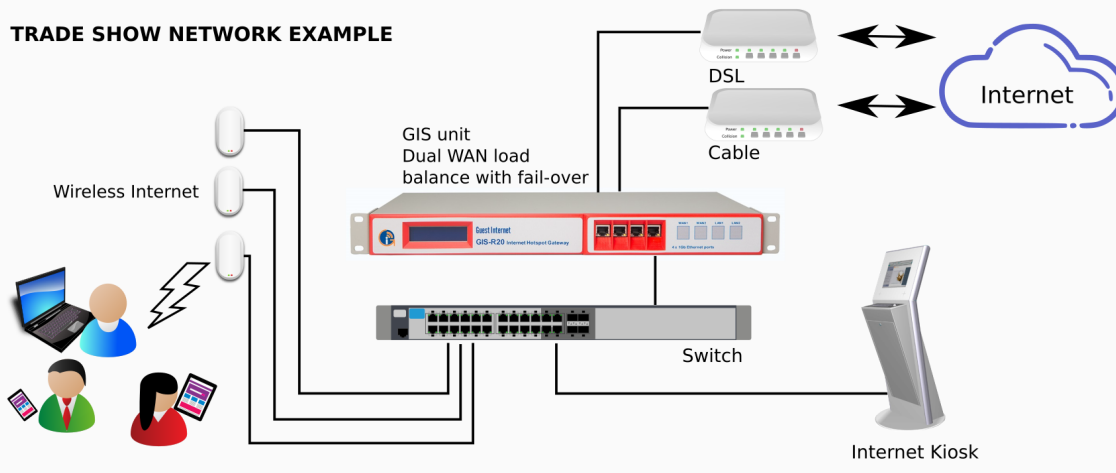
Rent booth space quicker while covering costs: provide free Internet for booth owners and cover the cost by charging visitors for Internet use.

Our gateway products include many management features essential for trade show Internet services. Features include bandwidth limiting, peer-to-peer blocking, content filtering and virus blocking.

Comprehensive reporting includes daily and monthly usage, and billing reports with transaction charges.



TRADE SHOW NETWORK EXAMPLE



We manufacture kiosk products for the trade show organizers who wish to create an Internet café environment for visitors. Please call our sales department if you wish to have more information about our kiosk products.

Option 1 GIS-R6



- Gateway for smaller trade shows that require multiple wireless access points
- Up to 100 concurrent users with laptops and smartphones
- 100 Mb/s throughput
- Options of credit card billing and P2P blocking

Option 2 GIS-R10



- Gateway for medium size trade shows that require multiple wireless access points
- Up to 250 concurrent users with laptops and smartphones
- Dual WAN throughput up to 100 Mb/s, with load balance and fail-over for high reliability
- Options of credit card billing and P2P blocking

Option 3 GIS-R20



- Provide a high performance Internet service for large trade shows
- Up to 500 concurrent users with laptops and smartphones
- Dual WAN throughput up to 200 Mb/s, with load balance and failover for high reliability
- Options of credit card billing and P2P blocking

We manufacture a range of hotspot products that offer the exact price / performance for any type of Internet business. Do you have special requirements for your Internet Hotspot? Our technical support staff will be glad to help you with a solution that meets your specific requirements. We can also provide a custom login page service based on your business web site. Please see our web site: www.guest-internet.com for product data sheets and manuals.